

# Haier

HRF-370IT

HRF-370IT/2

HRF-370

HRF-370AA

HRF-370AAA

HRF-370/2

HRF-470IT

HRF-470IT/2

HRF-470

HRF-470AA

HRF-470AAA

HRF-470/2

- D** Kühl - gefrier kombination - Gebrauchsanleitung
- GB** Combined fridge - freezer - Instruction for use
- F** Combiné réfrigérateur - congélateur - notice d'utilisation
- I** Frigo - congelatore combinato - Istruzioni per l'uso
- E** Frigo - congelador combinado - Instrucciones de uso
- P** Frigo - congelador combinado - Manual de instruções
- NL** Gecombineerde koelkast - diepvriezer - Gebruiksaanwijzing

**D****KONFORMITÄTSERKLÄRUNG**

Der Hersteller der/des hierin beschriebenen Produkte(s) auf welche(s) sich diese Erklärung bezieht, erklärt hiermit in alleiniger Verantwortung, dass diese(s) die einschlägigen, grundlegenden Sicherheits- Gesundheitsund Schutzerfordernungen der hierzu bestehenden EG Richtlinien erfüllen und die entsprechenden Prüfprotokolle, insbesondere die vom Hersteller oder seinem Bevollmächtigten ordnungsgemäss ausgestellte **CE-Konformitätserklärung** zur Einsichtnahme der zuständigen Behörden vorhanden sind und über den Geräteverkäufer angefordert werden können.

Der Hersteller erklärt ebenso, dass die Bestandteile der in dieser Bedienungsanleitung beschriebenen Gerät, welche mit frischen Lebensmitteln in Kontakt kommen können, keine toxischen Substanzen enthalten.

**GB****DECLARATION OF CONFORMITY**

The manufacturer of the product/s described herein, to which this description refers, declares on its sole responsibility that the product/s meet the relevant fundamental safety, health and protection requirements of the relevant EU guidelines and that the corresponding test reports are available for examination by the relevant authorities and can be requested from the seller of the appliance, especially with regard to CE Declaration of Conformity issued by the manufacturer or with the manufacturer's approval.

Moreover, the manufacturer declares that the parts of the appliance described in this user manual, which come into contact with fresh food, do not contain any toxic substances.

**F****DECLARATION DE CONFORMITE**

Par la présente, le fabricant du (des) produit(s) décrit(s) se rapportant à la présente déclaration, déclare sous sa propre responsabilité que ce(s) produit(s) satisfait(font) aux normes de sécurité requises en matière de santé personnelle et de protection et sont conformes aux directives CE en la matière et que les procès-verbaux d'essai correspondant, notamment la déclaration de conformité CE régulièrement émise par le fabricant ou par le délégué relatif pour la prise de connaissance de la part des autorités compétentes, existent et peuvent être remis au vendeur de l'appareil.

Le fabricant déclare en outre que les composants de l'appareil décrits dans la notice d'utilisation pouvant entrer en contact avec les aliments frais ne contiennent aucune substance toxique.

**I****DICHIARAZIONE DI CONFORMITÀ**

Con la presente, il produttore del(dei) prodotto(i) qui descritto(i) a cui si riferisce la presente dichiarazione dichiara dietro propria responsabilità che questo(i) prodotto(i) soddisfa(no) i requisiti di sicurezza, salute personale e protezione di base pertinenti alle direttive CE esistenti in materia e che i relativi verbali di prova, in particolare la dichiarazione di conformità CE emessa regolarmente dal produttore o dal relativo delegato per la presa in visione da parte delle autorità competenti, sono presenti e possono essere richiesti al rivenditore dell'apparecchio.

Il produttore dichiara inoltre che i componenti dell'apparecchio descritto nelle presenti istruzioni per l'uso, che possono venire a contatto con alimenti freschi, non contengono alcuna sostanza tossica.

**E****DECLARACIÓN DE CONFORMIDAD**

El fabricante del(de los) producto(s) aquí descrito(s) declara bajo su propia responsabilidad que este(os) producto(os) cumple(n) los correspondientes requisitos para la seguridad, salud personal y protección de acuerdo con las directivas CE existentes en esta materia y que las respectivas actas de aprobación, en particular la declaración de conformidad - CE emitida regularmente por el fabricante o por su representante autorizado, se encuentran disponibles para el examen por parte de las autoridades competentes, pudiendo ser exigidas al vendedor del aparato.

El fabricante también declara que los componentes del aparato descrito en las presentes instrucciones para el uso, que pudieran entrar en contacto con alimentos frescos, no contienen sustancias tóxicas.

**P****DECLARAÇÃO DE CONFORMIDADE**

O fabricante do(s) produto(s) ao(s) qual(is) se refere esta declaração, declara enquanto responsável único, que os respectivos e essenciais requisitos de segurança, saúde e protecção que constam da directiva da CE foram cumpridos, e que os respectivos protocolos de ensaio, especialmente a declaração de conformidade "CE" emitido pelo fabricante ou seu procurador estão em conformidade com os regulamentos. A declaração foi efectuada para inspecção das autoridades competentes, podendo ser solicitada junto do vendedor do aparelho.

O fabricante declara igualmente que as componentes do aparelho descritas neste manual de instruções, que podem entrar em contacto com alimentos frescos, não contêm substâncias tóxicas.

**NL****VERKLARING VAN OVEREENSTEMMING**

De fabrikant van het/de hierin beschreven product/producten waarop deze verklaring van toepassing is, verklaart hierbij geheel onder eigen verantwoordelijkheid dat dit product/deze producten in overeenstemming is/zijn met de van toepassing zijnde, fundamentele veiligheids-, gezondheids- en beschermingseisen van de hiertoe bestaande EG-richtlijnen en dat de bijbehorende testrapporten, in het bijzonder de door de fabrikant of zijn gevolmachtigde volgens de voorschriften opgestelde CE-Verklaring van Overeenstemming ter inzage door de bevoegde instanties beschikbaar zijn en via de verkoper opgevraagd kunnen worden.

De fabrikant verklaart eveneens, dat de onderdelen van het in deze handleiding beschreven apparaat die met verse levensmiddelen in contact kunnen komen, geen giftige bestanddelen bevatten.

**English**

Dear Customer

Our sincere thanks for having chosen this quality product, designed and engineered to meet every requirement of modern-day living. This appliance will provide many years of trouble-free service and fully live up to all your expectations.

This user manual covers a number of different appliances. Some slight differences may therefore apply to some models.

**CONTENTS**

Symbols . . . . .	Page	1
Before using the appliance for the first time . . . . .	Page	2
Important warnings relating to use of this appliance . . . . .	Page	2
Information about disposal of the packaging and scrapping the appliance . . . . .	Page	3
Packaging . . . . .	Page	3
Identifying plastics . . . . .	Page	3
Appliance . . . . .	Page	3
Installation . . . . .	Page	4
Positioning . . . . .	Page	4
Cleaning the interior before use . . . . .	Page	4
Electrical connection . . . . .	Page	4
Periodic cleaning of the appliance . . . . .	Page	5
Prolonged disuse . . . . .	Page	5
Practical tips for food storage . . . . .	Page	5
Refrigerating food and drinks . . . . .	Page	5
Storing frozen food and freezing fresh food . . . . .	Page	6
Ice cubes . . . . .	Page	6
Ice cream and ice lollies . . . . .	Page	6
Freezing and defrosting . . . . .	Page	6
Tips for optimum freezing . . . . .	Page	6
Calendar . . . . .	Page	7
Defrosting food . . . . .	Page	7
Defrosting the appliance . . . . .	Page	7
Defrosting the freezer compartment . . . . .	Page	7
Troubleshooting guide and after-sales service . . . . .	Page	8
Inverting the doors and fitting the handles . . . . .	Page	9
Instructions for the electromechanical control panel . . . . .	Page	11
Instructions for the electronic control panel . . . . .	Page	13

**SYMBOLS**

Danger



Advice on safeguarding the environment



Live parts, electrical hazard



Advice on disposal of recyclable materials



Fire hazard



Advice on cleaning the appliance



Warning - hot surfaces



Advice on maintenance  
and after-sales service



General advice for optimizing  
appliance operation

## BEFORE USING THE APPLIANCE FOR THE FIRST TIME

It is very important that you keep this user manual with the appliance for future consultation. Should you sell the appliance, be sure to give the buyer the user manual too, so that he can read the documentation relating to appliance operation and the various warnings.

These warnings are provided for your safety: we therefore advise you to read them carefully before installing or using the appliance.

- To avoid injury to persons or animals or damage to property, the appliance should be unpacked and manoeuvred into its installation position by two people. If the appliance is transported in a horizontal position, the oil contained in the compressor may flow into the refrigerant circuit. We therefore advise you leave the appliance standing in an upright position for at least 2 hours before connecting to the power supply, in order to allow the oil to flow back into the compressor.

- Before installation, check that the appliance is not damaged in any way. In the event of damage, contact your dealer. Never attempt to repair the appliance yourself. Any repairs carried out by unauthorized persons can damage the appliance and render the warranty null and void. Contact your nearest After-sales Service for repairs and insist on original spare parts.

- In order to protect finished surfaces, the sides and doors of the appliance may have a transparent protective film, ensuring it reaches you in pristine condition, free from scratches and marks; remove this film before installing the appliance; to remove the film, peel it off with your hands, without using tools. The film is made of recyclable plastic and should be disposed of accordingly.

- This appliance contains ISOBUTANE (R600a). In any case, the label affixed to the compressor and the data plate inside the appliance both specify the type of refrigerant used. Great care must be taken during transport and installation in order

to ensure that the appliance is handled carefully, without jerking or bumping it.



- **WARNING:** Do not damage the refrigerant circuit. Failure to observe these procedures could result in irreparable damage to the appliance; **furthermore, in the presence of R600a, any damage to the refrigerant circuit could produce a risk of explosion caused by external sparks or flames. Do not, under any circumstances, switch on the appliance if it appears to be damaged.**



- **In the event of damage, contact the After-sales Service, air the room in which the appliance is installed, avoid flames and do not interfere with the appliance yourself.**



- **WARNING:** to avoid risks arising from an unstable appliance, ensure the appliance is positioned or secured in place as specified in the user manual.

- After the product has been installed, check that it is not resting on the power supply cable and that the power plug is easily accessible once inserted into the socket.



- **WARNING:** if the power supply cable is damaged, have it replaced with another cable or assembly available from the manufacturer or the After-sales Service.



- This appliance is designed to be used by adults only. It is exclusively for domestic use, specifically for storing and/or freezing food. Take care, therefore, to ensure that children do not attempt to play with the appliance, sit on the drawers or lean on the appliance doors.



- Any changes that have to be made to the household electrical system in order to install the appliance, must be carried out by a qualified electrician.

## IMPORTANT WARNINGS RELATING TO THE USE OF THIS APPLIANCE



- Unplug the appliance from the mains before any cleaning and/or maintenance operations, (also before replacing the bulb). Be careful not to pull the power supply cable when unplugging the appliance.



- During normal operation, both the condenser and the compressor, housed at the rear of the appliance, heat up considerably. Especially in the presence of high ambient

temperatures, avoid touching the pipes and metallic surfaces at the rear of the appliance: risk of burns! Make sure, moreover, that installation is carried out as described in this user manual.

This free-standing appliance is not designed to be fitted into a housing unit or cabinet; **WARNING - Keep ventilation openings, in the appliance enclosure or in the built-in structure, clear of obstruction.** Insufficient ventilation is guaranteed to result in poor performance and damage to the appliance.



**English**

- A certain degree of frost build-up is unavoidable in any refrigerator. Depending on the model, this frost is either eliminated automatically (automatic defrosting), or manually, as required.



- **WARNING:** do not use electrical appliances inside the freezer compartments.



- Do not, under any circumstances, place hot foods or liquids in the freezer, and do not fill containers to the brim.



- The refrigerant circuit and insulation of this appliance do not contain gases that are harmful to the ozone layer or that exacerbate the greenhouse effect; nonetheless, disposal of the appliance must be carried out responsibly and in compliance with current regulations for the safeguarding of the environment.



**WARNING:** do not use mechanical devices or any means other than those recommended by the manufacturer to speed up the defrosting process. Never attempt to remove frost or ice with sharp instruments, since you may seriously damage the evaporator and compromise the efficiency of the appliance. Allow frost to melt naturally.


- Never use the plinth, drawers, door, etc. of the appliance as platforms or supports.
- Never place carbonated drinks or bottles of water in the low temperature (freezer) compartment: risk of exploding.
- **WARNING:** in the event of contact with the eyes, the refrigerant liquid can cause serious injury. Should the refrigerant liquid come into contact with the eyes, rinse immediately under running water and immediately seek medical advice from an eye specialist.
- It is dangerous to alter or attempt to alter the characteristics of your appliance.

## INFORMATION ABOUT DISPOSAL OF THE PACKAGING AND SCRAPPING THE APPLIANCE

### Packaging



**WARNING:** The packaging materials (plastic bags, film, polystyrene) are potentially dangerous for children (risk of suffocation).

Packaging materials are recyclable and are marked with the  recycling symbol.

Dispose of the materials as follows:

- paper and cardboard can be disposed of in the proper recycling bins;
- plastic parts should also be disposed of in the special recycling bins for plastic.

### Identifying plastics

To facilitate recycling of plastics, each item is marked with a symbol that identifies the particular material of which it is made.

Examples:

- PS: Polystyrene, which can also be in the shape of polystyrene foam (commonly used in packaging);
- PE: Polythene;
- PP: Polypropylene;
- ABS, SAN, etc...

### Appliance



Before scrapping the appliance, cut off the power supply cable and remove the doors so that children cannot shut themselves inside the appliance while playing.



Deliver your appliance for scrapping to a company specialized in scrapping electrical appliances. Only specialist scrapping companies have the equipment necessary to remove all environmentally harmful substances from the appliance.

Contact your local authority for a list of authorized collection centres for such goods.

Take care when delivering your old appliance to the collection centre for scrapping that the refrigeration circuit, and in particular the heat exchanger at the rear of the cabinet, is not damaged during transport.

This is to prevent any leaks from the refrigerant circuit.

Data relating to the refrigerant used is given on the appliance data plate.

Cyclopentane, which has no ozone depletion potential, is used as a blowing agent for the insulating foam.

## INSTALLATION

### Positioning

The appliance must be installed on a horizontal, stable surface; use the adjustable feet to ensure the appliance is level. Keeping the appliance raised off the floor ensures good circulation of air around the condenser.

This will guarantee optimum operation of the refrigerant circuit.

Ideally, the appliance should be installed in a cool, dry, well-ventilated place. Ensure the appliance is positioned away from sources of heat such as heaters or radiators, and avoid direct exposure to sunlight. Do not place other heat-producing household appliances (microwave ovens, toasters, etc.) on top of the appliance.

Every appliance series is identified by a "climatic class", which indicates the temperature range within which the appliance may operate.

The climatic class of your appliance is indicated on the data plate.

Climatic class:	Ambient temperature:
SN	from +10°C to +32°C
N	from +16°C to +32°C
ST	from +18°C to +38°C
T	from +18°C to +43°C

**i** Outside the ambient temperature range stated for your appliance's climatic class, adequate storage conditions for food may not be guaranteed; consequently, in the event the ambient temperature strays outside the stated range, it is advisable to use up food as quickly as possible. Appliances are designed for indoor use and must not be exposed to rain. Sufficient space must be provided for ventilation at the top (at least 100 mm) and at the back (at least 50 mm) of the appliance, otherwise appliance performance may become unreliable. When the appliance is fitted with a rear condenser, the accessories supplied as standard with the appliance include two spacers, to be fitted to the condenser as illustrated in the diagram in order to ensure a minimum distance of 50mm from the wall.

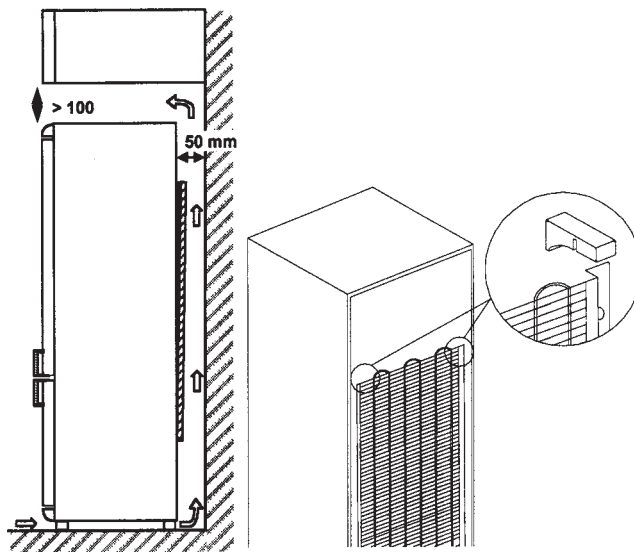


### Cleaning the interior before use

Before using the appliance, clean all the interior and accessories using warm water and neutral soap, vinegar or bicarbonate of soda in order to remove the typical new smell, then dry thoroughly. Do not use detergents and/or abrasive cleaning powders with soda, or solvents, since these could damage the finish.

After unpacking the appliance:

- Fit the handles, following the instructions in paragraph "INVERTING THE DOORS AND FITTING THE HANDLES".



- Carefully remove all adhesive tape and papers from the cabinet and door.
- Remove any polystyrene parts from around the compressor.
- Remove all documents and accessories supplied from the interior.

### Electrical connection

Before plugging in the appliance, check that the voltage and mains frequency indicated on the appliance data plate correspond to the domestic power supply.

A margin of -6% to +6% with respect to the rated voltage is permitted. For appliance operation in the presence of different voltages, a suitable autotransformer must be used.

The appliance must not be connected to inverters (for example to a solar panel system) and must not be connected using an extension lead.



### Regulations require that the appliance be suitably earthed.

To this end, if the domestic power socket is not earthed, connect the appliance to a separate, efficient earth system in compliance with current standards, consulting a qualified technician. The manufacturer declines all liability in the event of non-observance of this health and safety regulation.

This appliance conforms to the following European standards:

Low Voltage Directive 73/23/EEC  
Directive 93/68/EEC

## PERIODIC CLEANING OF THE APPLIANCE



Before cleaning the appliance, unplug it from the mains. Clean the exterior of the appliance from time to time using a furniture detergent or polish with similar characteristics (which must never be used to clean the interior of the appliance). Clean the door seals from time to time with hot water only, without the use of detergents; do not treat the door seals with oil or grease.

Clean the inside of the appliance regularly:

- Clean the refrigerator compartment at least once a month, and the freezer compartment whenever you defrost it.
- Remove all food from the refrigerator and freezer and store them in a cool place.
- No part of the appliance, including accessories, is dishwasher-safe. Wash the interior and accessories with hot water and a little detergent. Do not use concentrated detergents containing acidic substances or chemical solvents. We advise you use a mild all-purpose detergent with a neutral pH.
- After cleaning, rinse the interior and the accessories with clear water and dry thoroughly. Allow to dry in the fresh air for 3-4 minutes.
- Do not damage or remove the data plate positioned inside the appliance: it is very important for the after-sales service and for future scrapping.



- Take care that no water comes into contact with electrical parts inside the appliance.

- Periodically remove any dust and dirt from the heat exchanger at the rear of the appliance. Dust interferes with the appliance's cooling capacity and significantly increases energy consumption. The best way to remove dust from the heat exchanger is to use a soft brush or a feather duster. Take care when cleaning the metal fins of the condenser: they may be very sharp.
- Make sure that condensation drains away freely along the drain channels. From time to time, clean the defrost water drain outlet with the help of a cotton wool bud or similar tool.
- Do not attempt to drain away the water used for cleaning the appliance through the defrost water drain outlet; the collection basin would overflow and the water would spill onto the floor.

### Prolonged disuse

- In the event of prolonged disuse, empty the appliance completely, unplug it from the mains and clean it thoroughly. Leave the doors open to prevent formation of mould and unpleasant odours.



**When the appliance is switched back on after a prolonged period of disuse, allow it to operate for 2-3 hours with the thermostat at the highest setting (coldest) before placing any food in the compartments.**

## PRACTICAL TIPS FOR FOOD STORAGE

### Refrigerating food and drinks

The natural circulation of cold air inside the refrigerator compartment creates a number of different temperature zones, particularly suitable for storing various foods; it is therefore important to arrange food in such a way as to guarantee good air circulation throughout the interior.

The coldest zones (suitable, for example, for storing cold cuts and meats) are just above the fruit and vegetable drawers, i.e. at the bottom rear section of the compartment; the least cold zones are at the top of the compartment, towards the front and in the inner door (ideal for storing butter and spreading cheese).

For optimum use of the refrigerator compartment:

- do not place hot foods or liquids in the refrigerator;
- always use closed containers or special storage solutions for liquids and foods that give off a strong smell or that could be tainted by other foods in the compartment;

- do not store cooking oil in the special compartments in the inner door: the plastic may crack.



Do not store explosive materials or pressurized containers with flammable propellants such as butane, propane, pentane, etc., and only store strong alcohol in closed containers stored vertically. Gas or liquid accidentally leaked from pressurized cans can be identified by reading the information provided by the manufacturer on the packaging, often marked with a flame symbol.

Food:

**Meat** (any kind): should be wrapped and sealed in protective food wrap. Bear in mind that maximum storage time is generally 1-2 days.

**Cooked food, cold platters, etc.** must be covered well and can be stored on any shelf.

**Fruit and vegetables** should be washed, then stored in the purpose-designed crisper drawers, even without any wrapping.



**English**

Bananas, potatoes, onions and garlic, however, should not be stored in the refrigerator, **unless specially wrapped**.

Use suitable materials to wrap and store food: aluminium foil and cling film can be used several times, and metal and glass containers are also suitable.

**Storing frozen foods and freezing fresh foods.**

The freezer compartment is intended for storing frozen food, freezing small amounts of food and making ice cubes and ice cream.

The freezer compartment may also be used without the provided drawers by simply placing the food on the shelves and on the bottom of the compartment.

**IMPORTANT**

To store food for a prolonged period of time, a temperature of **-18°C** is necessary. This temperature significantly blocks the action of microorganisms. As soon as the temperature exceeds **10°C**, the process of decomposition triggered by microorganisms begins again, causing food to perish far more quickly.

For this reason, once food has been defrosted, it can only be frozen again after being cooked (boiled or cooked). Cooking at high temperatures eliminates the majority of microorganisms.

The freezer compartment (4 stars) can be used for storing frozen food and for freezing fresh food:

- frozen food to be stored in the freezer must be in prime condition at the moment of purchase;
- in any event, frozen food must not be stored in the freezer for any longer than is recommended on the packaging.
- restrict the frequency of door opening for the freezer compartment and try to keep the door open for as little time as possible.



**The storage temperature must always be -18°C or lower.**

**IMPORTANT**

Any increase in the temperature of frozen foods shortens the length of time they can be stored in the freezer.

- If for some reason, for example as a result of a power cut, food in the freezer compartment thaws completely, it must be used up in a very short space of time; once cooked, it can be frozen again.
- In the event of short power failures (up to 6-8 hours) the appliance will maintain suitable storage conditions and food will not deteriorate.

**Ice cubes**

The appliance comes equipped with one or more ice cube trays; fill the trays 3/4 with potable water and place them in the special compartment. Do not use metal or sharp objects to detach the trays, should they become stuck. To remove the ice cubes from the trays with ease, pour a little running water over the trays.

**Ice cream and ice lollies**

To avoid cold burns to the tongue or lips, wait a few minutes before eating ice cream or ice lollies taken from the freezer. For the same reason, avoid touching the walls of the freezer with wet hands.

**FREEZING****Tips for optimum freezing**

Ensure fresh food to be frozen is of prime quality, and wash and dry it carefully before freezing.

- Avoid opening the compartment door too frequently and do not leave it open any longer than is necessary.
- Place fresh food to be frozen in the bottom drawer, which is the coldest zone of the freezer.
- The appliance data plate states the maximum amount of fresh food that can be frozen in 24 hours ("freezing capacity"). Freezing a larger amount of food results in poorer quality freezing, and significantly reduces the quality of already frozen food.
- To promote rapid freezing and make it easier to defrost small amounts of food at a time, split food into small

portions, wrapping them carefully in suitable protective wrap (aluminium foil or special freezer bags), sealing them properly.

- Packages must be dry in order to prevent them freezing and sticking together;
- Packages must be sealed properly in order to ensure air and humidity are trapped inside, thus preventing food from drying out and losing precious vitamins. Freezer bags and/or aluminium foil must be soft enough to adhere to food.
- Be sure to write the freezing date and use by date on each package placed in the freezer. Do not store food for any longer than is recommended by the manufacturer.
- The inner freezer door features a diagram detailing recommended storage times for meat and other foodstuffs. These times are only valid if freezing is carried out as properly using premium quality, fresh food.



**English**

- Lie the food to be frozen horizontally in the freezer compartment so that it can freeze as quickly as possible, even in the middle;
- In order to prevent frozen food from thawing, arrange fresh food so that it does not come into contact with already frozen food. When freezing small amounts of food (1-2 kg) there is no need to adjust the thermostat knob. When freezing larger amounts, follow the advice given in the control panel user manual.

**Important**

- Never store bottled drinks, especially carbonated, in the freezer compartment or low temperature compartment; as the drinks freeze, the contents expand and the bottles can explode.

**Calendar**

The symbols on the calendar inside the freezer door indicate the various products that can be frozen. The numbers indicate the recommended storage time, expressed in months, for each food type.

The higher number can be taken as the valid storage period for premium quality products, properly frozen.

**Defrosting food**

For optimum results when cooking frozen food, allow it to defrost first in the refrigerator or at ambient temperature: thawing time will be shorter at ambient temperature. If you need to cook food quickly, as long as the portions are small, you cook it straight from frozen, increasing the cooking time slightly.

Average to larger portions can be defrosted in a microwave oven before cooking.

Once thawed, food perishes quickly and must therefore be used within 12-24 hours. Once cooked, (boiled or cooked) it can be frozen again.

**DEFROSTING**

The frost that builds up on the inside walls of the refrigerator defrosts automatically each time the compressor stops. This defrost water is routed to a special basin positioned above the compressor at the rear of the appliance, from where it evaporates thanks to the heat generated by the compressor. Excessive build-up of frost can be caused by the thermostat being turned up too high or by poorly fitting door seals.




**Remember to clean the defrost water drain outlet from time to time (positioned in the middle of the drain channel in the refrigerator).**


**Defrosting the freezer compartment**

It is perfectly normal for frost and ice to form in the freezer compartment. Nonetheless, if the layer becomes excessively thick, it acts as an insulator and compromises cooling. If ice formation in the compartment is excessive, check that the freezer door closes properly and that the door seals adhere well and are in a good state of repair. Defrost the freezer compartment periodically, and whenever the layer of ice reaches a thickness of around 5 mm. Up to a thickness of around 3-4 mm, ice can be removed using a plastic scraper. If the layer of ice is thicker, proceed as follows:

1. 24 hours before defrosting, turn the thermostat knob to the highest setting or select the SUPER FREEZING function (if provided). Frozen food will be adequately frozen and may be removed from the appliance.

2.  Dry your hands thoroughly (or wear rubber gloves if possible) to avoid damage to skin in the event you inadvertently touch the ice.

3. Remove frozen food (empty all food from the refrigerator compartment too), wrap and store it in a dry, cool place.


4.  Unplug the appliance from the mains.

5. Leave the appliance door open and scrape the ice carefully off the walls using the plastic scraper; collect the pieces of ice and allow them to melt in the kitchen sink.

6. Remove the defrost water drain channel (if provided) from the bottom of the appliance and position a basin to collect the defrost water. If your appliance does not have a defrost water drain channel, place a towel in front of the appliance and continually remove the water with the help of a sponge.

**English**

7. In order to prevent thawing of the food removed from the freezer, this defrosting procedure should be completed in not more than two hours. If necessary, you can speed up the process by placing a bowl of warm water (not hot) on the bottom of the compartment, closing the door.

8.  After defrosting, clean the inside of the appliance with a mild solution of warm water and vinegar, then dry it thoroughly.

9. Plug the appliance back into the mains and switch it on, turning the thermostat up to the highest setting or selecting the SUPER FREEZING function (if provided). Return the food to the freezer and after two or three hours set the thermostat to its usual setting.



Never use electrical appliances such as hairdryers or fan heaters to defrost the appliance.



Never use any means with a naked flame (e.g. candles) to defrost the appliance. You risk melting the plastic casing, at which point the foam and gas contained behind the walls could catch fire in the presence of sparks or naked flames.

## TROUBLESHOOTING GUIDE AND AFTER-SALES SERVICE

Abnormal operation is not always caused by an actual malfunction of the appliance: it may, on the other hand, be caused by incorrect installation or use. To avoid needless call-outs and resulting bills for after-sales service, check first of all whether you have fully observed all the advice and recommendations given in the user manual.

### 1. The internal temperature is not low enough.

Check that:

- the doors close properly and no air can enter the compartments; to check whether the door seals adhere properly, you can place a sheet of paper between the seal and the door before closing. When the door is closed, it should be very difficult to pull the paper in any direction at all.
- the settings on the control panel are all correct;
- the refrigerator is not positioned near a heat source;
- the condenser is clean and air can circulate freely at the rear of the appliance;
- there is no excessive build-up of frost in the low-temperature compartment;
- the ambient temperature of the room where the appliance is installed corresponds to the climatic class indicated on the data plate.

### 2. The internal temperature is too cold or the compressor runs constantly.

This can be caused by too much food being placed in the compartment or frequent door opening.

- Check that the control panel settings are correct (turn the thermostat to a lower setting).
- Check the door closes properly and that the seals adhere properly.

- Check the ambient conditions.

- Check there is sufficient ventilation and that the air vents are unobstructed.



### 3. **The appliance is excessively noisy.**

Check that:

- The appliance is standing evenly on the floor; furniture and items next to the appliance must not vibrate when the compressor is running;
- Check that the pipes at the rear of the appliance are not touching anything; if necessary, move the appliance further out from the wall;
- Check that all visible screws are screwed down securely and that all removable parts of the appliance are fitted properly;
- Check that there are no bottles or containers touching.

*Attention: noises caused by the circulation of liquid in the refrigerant circuit are normal and unavoidable.*

**Do not, under any circumstances, try to make any repairs to the appliance yourself.**

### 4. The appliance is not working

Check that:

- the settings on the control panel are all correct;
- the green light or display (if provided) is on;
- there is no power failure;
- the power supply cable is not damaged or broken and the power plug is properly inserted in the socket;
- the domestic mains switch is not disconnected and that the fuse has not blown;

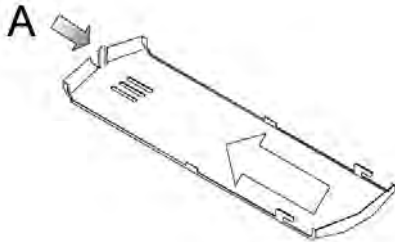
**English****5. The inside light is not working**

If the light is not working, check that:

- the mains electrical supply is present;
- the door switch is not stuck;



- If necessary, unplug the appliance from the mains, remove the lampcover, releasing the clip (A);



- check that the bulb is not simply loose, tightening it if necessary;
- if the bulb is faulty, replace it with another with the same wattage and voltage; the maximum wattage is indicated on the lamp cover.



Take care when handling the bulb, in case it is still hot.

- Put the the lamp cover back on and plug the appliance back into the mains.
- Check that the light works when the door is opened and that it switches off when the door is closed.

**6. Water collects at the bottom of the refrigerator compartment**

Check that:

- the water drain outlet, at the rear of the compartment, is not blocked. Clean it if necessary.

**NOTE**

Be aware of the general conditions of the warranty and its expiry date, indicated on the attached certificate or on that provided by the dealer at the moment of purchase. The appliance warranty does not cover after-sales service call-outs to repair malfunctions caused by failure to observe the recommendations and advice provided in this user manual.



If the power supply cable needs to be replaced, unplug the appliance from the mains and fit a new cable, which must be ordered from the After-sales Service. Make sure it is properly connected and secured. If, after performing the above checks, the appliance is still not working normally, contact the After-sales Service, whose contact details are given on the warranty and in the telephone directory; state the nature of the fault, the appliance model and service number.

To avoid risks and to ensure the warranty is not rendered null, have all repairs and maintenance operations carried out exclusively by qualified personnel provided by the After-sales Service.

The manufacturer is constantly working to update and improve products. Confident you will excuse any inconvenience, we reserve the right to make modifications to the design, accessories and technical specifications of this appliance.

**INVERTING THE DOORS AND FITTING THE HANDLES**

**Before any intervention, unplug the appliance from the mains.**

To remove the appliance doors, proceed as follows:

1. unscrew the handles of the refrigerator and freezer compartment doors;
2. remove the bottom plinth and unscrew the lower right hinge (fig. A);
3. release the freezer door from the pin, pushing it downwards;
4. gripping the refrigerator door firmly, unscrew the middle hinge and release the refrigerator door from the pin, pushing it downwards;

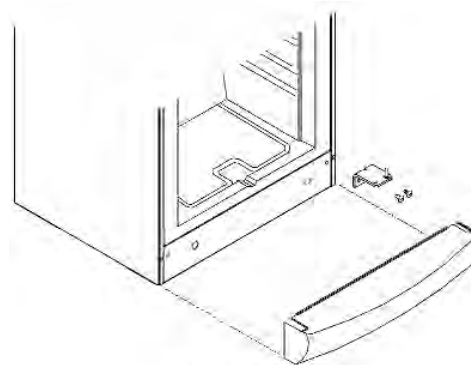


Fig. A.

**English**

To refit the door with the hinges on the opposite side, proceed as follows:

1. remove the cover plugs from the doors, revealing the fixing holes for the handles;
2. fit the refrigerator and freezer handles reversed on the right hand side of the doors (fig. B);
3. unscrew the pin of the top right hand hinge using a 5 mm socket wrench and refit it on the left hinge (fig. C);
4. reposition the refrigerator door and screw down the middle hinge on the left hand side, turned 180° (fig. D), being careful not to overtighten the screws;
5. reposition the freezer door and screw down the bottom hinge on the left hand side, after moving the pin to the left hand hole;
6. remove the cover plugs from the left hand side of the central crosspiece and position them on the right (fig. E);
7. refit the bottom plinth;
8. to align the doors precisely, adjust the middle hinge, moving it horizontally; once the doors are perfectly aligned, fully tighten the screws.

**Attention:** once you have finished inverting the doors, check that the door seals adhere to the cabinet properly. If they do not, heat the loose section of door seal with a standard hairdryer, taking care not to burn it.

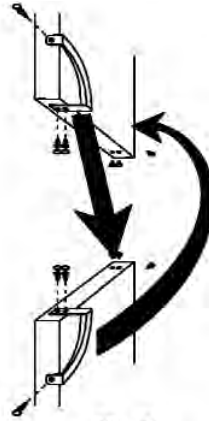


Fig. B.

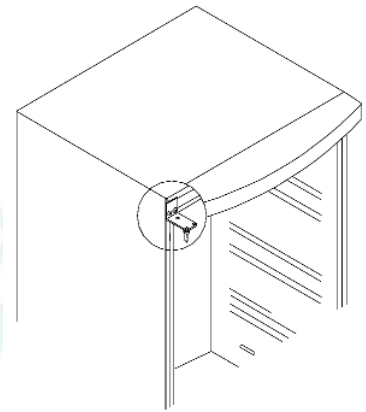


Fig. C.

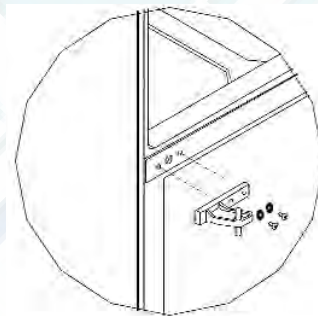


Fig. D.

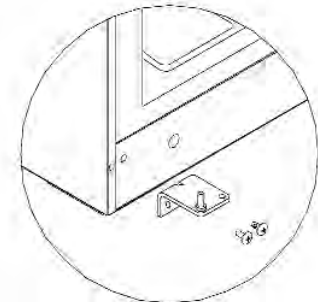
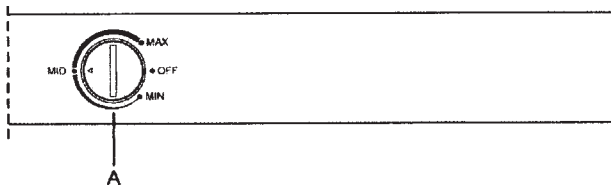


Fig. E.



## INSTRUCTIONS FOR THE ELECTROMECHANICAL CONTROL PANEL

HRF370IT  
HRF470IT



### 1. Control panel

To operate the appliance, turn the thermostat knob (A) in a clockwise direction from the "OFF" position to a setting that corresponds to the desired level of refrigeration.

The thermostat knob can be set to any position between minimum (less cold) and maximum (coldest): MIN - MED - MAX.

When the thermostat knob is turned back to OFF, this automatically shuts down the compressor and turns off the light.

Use a coin or a screwdriver to adjust the temperature setting; avoid using other sharp utensils such as scissors.

### 2. Adjusting the temperature

When setting the temperature, take into account the following factors:

- ambient temperature;
- amount of food stored in the appliance;
- frequency of door opening;

We advise you set the temperature initially mid-way between MED and MAX; by simply observing appliance operation, you will quickly be able to establish the best temperature setting for your needs.

Appropriate temperature setting is an important factor for optimum storage of food.

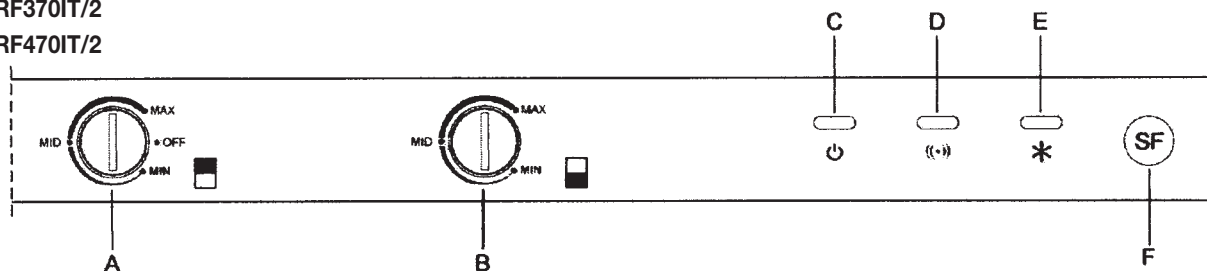
The aggressive action of microorganisms causes food to perish quickly: by selecting the appropriate storage temperature, this process can be prevented or at least slowed down. Temperature influences the speed at which microorganisms proliferate. By lowering the temperature, you can slow down such proliferation.

**i** For this reason, we recommend you maintain an average temperature inside the refrigerator (5°C or lower).

When the thermostat is turned up too high (MAX), in the presence of high ambient temperatures and large amounts of food in the compartment the appliance may run continually, resulting in excessive frost or ice forming on the walls.

In these conditions, the thermostat must be turned to a lower setting, in order to restore the correct operation of the appliance and to significantly save energy.

HRF370IT/2  
HRF470IT/2



### 1. Control panel

Combi fridge-freezers with two compressors feature two separate thermostat knobs for the refrigerator and freezer: to ensure trouble-free operation of the appliance, check that both thermostat knobs are set appropriately. Use a coin or a screwdriver to adjust the temperature setting; avoid using other sharp utensils such as scissors.

- **Knob A:** allows the refrigerator temperature to be set to any position between minimum (less cold) and maximum (coldest): MIN - MED - MAX. To operate the appliance, turn the thermostat knob (A) in a clockwise direction from the "OFF" position to a setting that corresponds to the desired level of refrigeration. When the thermostat is set to OFF, this automatically shuts down the refrigerator compressor, and turns off the light.

- **Knob B:** allows the Freezer temperature to be set to any position between MIN – MED – MAX – .

- **Green power ON indicator light C:** when lit up, this indicates that the appliance is connected to the mains power supply; the green light should be on at all times, even when the refrigerator thermostat is set to "OFF".

- **Red alarm indicator light D:** when lit up, this indicates that the temperature in the Freezer compartment is too high; the alarm is triggered when the temperature climbs above -3°C and switches off automatically when a suitable temperature is restored.

- **Yellow /orange E (\*):** indicator light: when lit up, this indicates that the Super Freezing function has been selected.

**English**

- **Super freezing button F:** when pressed, this activates the SUPER FREEZING function, overriding normal thermostat operation. The compressor runs continually, without stopping, until the SUPER FREEZING function is deactivated by pressing button F again.

**2. Refrigerator compartment temperature adjustment**

When setting the temperature, take into account the following factors:

- ambient temperature;
- amount of food stored in the appliance;
- frequency of door opening;

We advise you set the temperature initially mid-way between MED and MAX; by simply observing appliance operation, you will quickly be able to establish the best temperature setting for your needs.

Appropriate temperature setting is an important factor for optimum storage of food.

The aggressive action of microorganisms causes food to perish quickly: by selecting the appropriate storage temperature, this process can be prevented or at least slowed down. Temperature influences the speed at which microorganisms proliferate. By lowering the temperature, you can slow down such proliferation.



**For this reason, we recommend you maintain an average temperature inside the refrigerator (5°C or lower).**

When the thermostat is turned up too high (MAX), in the presence of high ambient temperatures and large amounts of food in the compartment the appliance may run continually, resulting in excessive frost or ice forming on the walls.

In this case the thermostat knob must be turned down lower in order to restore correct appliance operation. This will also provide significant energy savings.

**3. Freezer compartment temperature adjustment**

Also when setting the freezer temperature, take into account the following factors:

- ambient temperature;
- amount of food stored in the appliance;
- frequency of door opening;

We advise you set the temperature initially mid-way between MED and MAX; by simply observing appliance operation, you will quickly be able to establish the best temperature setting for your needs.



**The freezer temperature must always be at least -18°C, or lower.**

**4. Red overheating indicator light**

The red freezer alarm indicator light can light up in a number of situations:

- when the appliance is switched on for the first time;
- when the appliance is switched on after defrosting;
- when fresh food is placed in the freezer to be frozen.

In these situations, it is perfectly normal for the red alarm indicator to light up for a short while: it will switch off automatically after a few hours.

Select SUPER FREEZING (deactivating it after no more than 24h, or when the red indicator light switches off again).

If possible, do not open the freezer door until the red alarm indicator light switches off. If the light is still on after 12-24 hours, this means that the appliance is not working as it should.

**5. Super freezing**

With models HRF370IT/2 and HRF470IT/2, before placing fresh food in the freezer compartment, proceed as follows:

- select the SUPER FREEZING function;
- later (after 24 hours) place food to be frozen in the compartment;
- after a further 24 hours, deactivate SUPER FREEZING to restore normal function.

During this period, the red alarm indicator lamp may light up; it will switch off automatically once the fresh food begins to freeze.

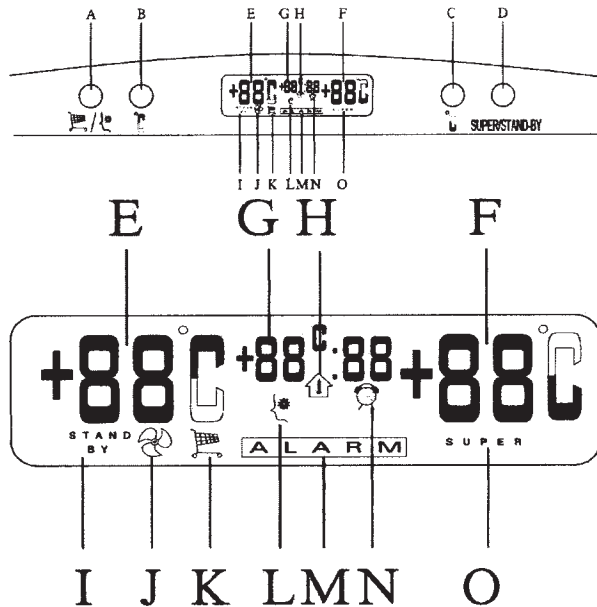
The fact that the red indicator lamp switches off does not mean that food is fully frozen.

## INSTRUCTIONS FOR THE ELECTRONIC CONTROL PANEL

HRF370 - HRF370AA - HRF370AAA - HRF370/2

HRF470 - HRF470AA - HRF470AAA - HRF470/2

### 1. Control panel



- A. Super cooling / fuzzy logic
- B. Fridge temperature setting / Fridge off
- C. Freezer temperature setting / Freezer off (HRF370/2 – HRF470/2)
- D. Super freezing / Stand-by
- E. Fridge temperature display
- F. Freezer temperature display
- G. Ambient temperature display / time display
- H. Ambient temperature indicator
- I. Stand-by indicator
- J. Refrigerator mode / energy saving indicator
- K. Super cooling indicator
- L. Fuzzy logic indicator
- M. Alarm indicator
- N. Alarm clock indicator
- O. Super freezing indicator

### 2. Fridge temperature setting

Press button B to set the fridge temperature. Indicator E will start blinking, indicating the set fridge temperature. Each time button B is pressed, the set fridge temperature will increase by 1°C, in a range between 2°C and 10°C. If no operation for 5 seconds, the temperature indicator will stop blinking and the set fridge temperature has been confirmed, the current fridge temperature will then be displayed.

### 3. Freezer temperature setting

Press button C to set the freezer temperature. Indicator F will start blinking, indicating the set freezer temperature. Each time button C is pressed, the set freezer temperature will decrease by 1°C, in a range between -16°C and -26°C. If no operation for 5 seconds, the temperature indicator light will stop blinking and the set freezer temperature has been confirmed, the current freezer temperature will then be displayed.

Note: To set the fridge or freezer temperature, wait until the current temperature indicator light stops blinking.

### 4. Super cooling

After shopping, in order to avoid any influence to the cooled food already stored, you are recommended to choose this function when you put the fresh vegetable, fruit, etc, into fridge compartment. The ventilator fan could help to cool your fresh food faster. The different levels, from "01" to "04", are linked to the quantity of the fresh food to be cooled.

Press button A to activate the super cooling function. Indicator K will light up and indicator E will show "00" blinking ("+", "-" and "°C", are not displayed). Each time button A is pressed, the setting increases by one level up to "04", after which the cycle will start from "00" again ("01" means 1.5 hour of ventilation, "02" means 3 hours, "03" means 4.5 hours and "04" means 6 hours). If no operation for 5 seconds, the fridge temperature will be displayed. If level "00" is selected, the super cooling function is deactivated and the previous display will appear.

When the super cooling function is active, the freezer compartment will operate according to the selected setting.

When the super cooling function is active, the freezer temperature, fuzzy logic, super freezing and clock can be set, whereas the fridge temperature and stand-by mode cannot.



**English****5. Super freezing**

This function could freeze the food faster in order to protect the nutrition of the food that has been put into freezer compartment. The different levels from "01" to "04", are linked to the quantity of the food to be frozen.

The recommended selection is as below:

Level	Working time of the freezer	Weight of meat to be frozen
Level 01	15 hours	5~10 kg
Level 02	30 hours	10~15 kg
Level 03	40 hours	15~20 kg
Level 04	60 hours	≥20 kg

Press button D to activate the super freezing function. Indicator O will light up and indicator F will show "00" blinking ("+", "-", and "°C", are not displayed). Each time button D is pressed, the setting increases by one level up to "04", after which the cycle will start again from "00" If no operation for 5 seconds, the freezer temperature will be displayed. If level "00" is set, the super freezing function is deactivated and the previous display will appear.

When the super freezing function is active, the fridge temperature, fridge off, clock, fuzzy logic (super freezing mode switches off automatically) can be set, whereas the freezer temperature, stand-by mode or super cooling function cannot.

**6. Fuzzy logic**

When fuzzy logic mode is set, the refrigerator could optimize its temperature control corresponding to the variable ambient temperature, to achieve a better conservation and minimum energy consumption.

Press and hold button A for 3 seconds to activate the fuzzy logic: indicator L will light up. Press and hold button A for 3 seconds again to deactivate the fuzzy logic: indicator L will disappear.

In the fuzzy logic mode, the super freezing, fridge temperature, freezer temperature, stand-by and super cooling cannot be set because the fridge and freezer temperature are automatically controlled.

**7. Stand-by mode**

During holiday period, in case there is no fresh food kept in fridge compartment, you are recommended to choose stand-by function. The fridge temperature is set at 15°C automatically and you don't need to keep the fridge door open.

The stand-by mode can only be set when the fuzzy logic, super freezing, super cooling and fridge off are deactivated. Press and hold button D for 3 seconds: indicator I will light up. The fridge temperature is automatically set to 15°C and the freezer temperature is set to -18°C.

Note: In the stand-by mode, the fridge temperature alarm is not activated.

**8. Fridge off**

Press and hold button B for 3 seconds to switch off the fridge compartment: indicator E (temperature display) will turn off. Press and hold button B for 3 seconds to switch on the fridge compartment again: the refrigerator temperature display will light up. When the fridge compartment is OFF, the super freezing, fuzzy logic and clock can operate, and the ambient temperature and time can be displayed.

**9. Freezer off (for HRF370/2 – HRF470/2 only)**

Press and hold button C for 3 seconds to switch off the freezer compartment: indicator F (temperature display) will turn off. Press and hold button C for 3 seconds to switch on the freezer compartment again: the freezer temperature display will light up. When the freezer compartment is OFF, the super cooling, fuzzy logic and clock can operate, and the ambient temperature and time can be displayed.

**10. Fridge operation indicator**

When the refrigerator is working, indicator J of the fan motor will turn, otherwise the indicator will turn off.

**11. Clock setting**

Time display: Press and hold buttons A and B simultaneously: indicator G will show the current time.

Time setting: Press and hold buttons C and D simultaneously: the "clock setting" (starting from 00:00 when the power is connected) will be activated and the time displayed. Press button C: the "hour" indicator will blink. Then, each time button C is pressed the setting will increase by 1 digit. Press button D: the "hour" indicator will stop blinking and the "minute" indicator will start. Each time button D is pressed the setting will increase by 1 digit. If no operation for 5 seconds, the clock setting will be confirmed. The time setting is not affected if the ambient temperature and time displays are switched. (Hour positions range between 00 and 23, and minute positions range between 00 and 59).

**12. Champagne reminder**

**This function is useful when you need to cool beer, white wine or champagne very fast without freezing and damaging the bottle. You can put your beverage into freezer compartment setting the clock as below.**

Press and hold buttons A and D simultaneously: the time display G will indicate "00:00" and alarm clock indicator N will appear. Press button A: the "hour" indicator will blink. Then, each time button A is pressed the setting will increase by 1 digit. Press button D: the "hour" indicator will stop blinking and the "minute" indicator will start.



**English**

---

Each time button D is pressed the setting will increase by 1 digit. If no operation for 5 seconds, the clock setting will be confirmed and indicator N will light up. The ambient temperature and time displays are not switched on. The set alarm clock time counts down by 1 digit to "00:00". The alarm will sound for 20 seconds and the previous operation mode (time or ambient temperature) will be displayed when the set alarm time ends. If buttons A and D are pressed and held again, the set alarm clock time will be reset and indicator N turn off. The setting range is the same as the display range. The alarm can be silenced by pressing B and C simultaneously

together again; the indicator J will disappear from the display.

During normal operation of the refrigerator compartment, the indicator J displays intermittently; pressing buttons A and C together switches off the fan and J displays steadily. Press buttons A and C together to turn the fan back on again during normal operation: the indicator J returns to intermittent display.

N.B.: we recommend switching the fan on when the ambient temperature is greater than 25°C.

**13. Over temperature alarm**

The refrigerator will alarm in case:

- 1) Fridge or freezer door is not properly closed
- 2) Fridge or freezer is excessively over the set temperature.
- 3) System is running abnormally.

Indicator M will light up and the temperature indicator "°C" in displays E or F will blink. To silence the alarm, press buttons B and C simultaneously. Indicator M will turn off automatically when the set temperature value is restored. If indicator M remains alight, contact the after sales service agent.

**14. Self-check function**

If one of the four refrigerator sensors does not work properly, indicator E, F or G will display F1, F2, F3 or F4 accordingly to the sensor malfunction. Although the refrigerator will continue to operate, it is strongly recommended to contact the after sales service agent for technical assistance.

**15. Power interruption memory**

The current operating mode of the refrigerator and the selected period of super cooling and freezing will be resumed if the power supply is interrupted and then restored.

**16. Time delay protection**

The refrigerator can only restart 8 minutes after each stop so as to protect the compressor.

**17. Beep sound**

Each time a button is pressed (correct operation only) a beep sound is generated.

**18. Energy saving mode**

**HRF370AA - HRF370AAA**

**HRF470AA - HRF470AAA**

Press buttons A and C together to enable energy saving mode (fan off): the indicator J will display. To disable the mode and turn the fan back on, press buttons A and C